

Ceiling mount bracket for low ceilings

Description

This ceiling mount bracket is to be used when mounting projectors to low ceilings.

NOTE: This ceiling mount bracket cannot be used by itself. Combine it with the optional bracket assembly.

Specifications

Vertical correction angle: +5°, -15°
 Horizontal slant correction angle: ±10°*1
 Horizontal turn correction angle: ±5°
 Dimensions (W × H × D): 160 × 76 × 150 mm (6-5/16 × 3 × 5-29/32 inches)
 Weight: 0.7 kg*2 (1.5 lbs)*2
 Applicable bracket assembly: ET-PKL420B/PKL430B/PKV400B

*1 Correction angle when using together with the PKL420B/PKL430B/PKV400B.

*2 Average value. May differ depending on models.

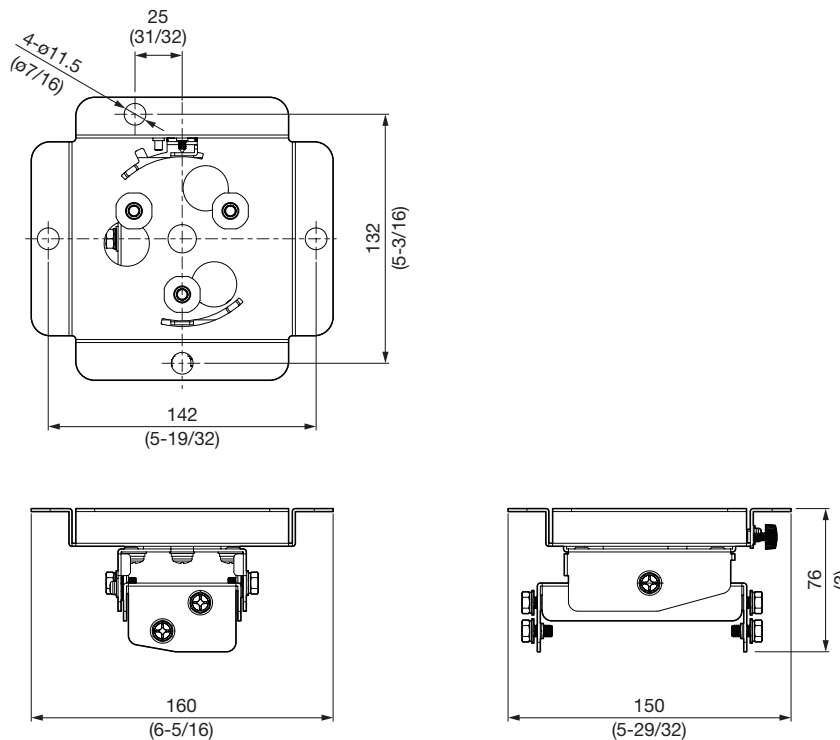
Weights and dimensions shown are approximate. Specifications and appearance are subject to change without notice.

Parts	Attachment plate	1	Hex head bolt,captive washer(M6 × 12)	4
	Angle adjuster	1		

Caution:

- Mounting should be done by a qualified technician.
- Make sure that the mounting (ceiling) area has sufficient strength.
- Read the enclosed Installation instructions thoroughly before starting. The instructions for installing the drop-prevention wire are given in the Installation Instructions for the base mount bracket.
- Do not use an electric screwdriver or impact driver to tighten screws.
Use a torque driver or hexagon torque wrench and tighten screws to the torque specified in the instructions.
- When the product is no longer going to be used, have it disposed of quickly by a professional disposal service.

Dimensions

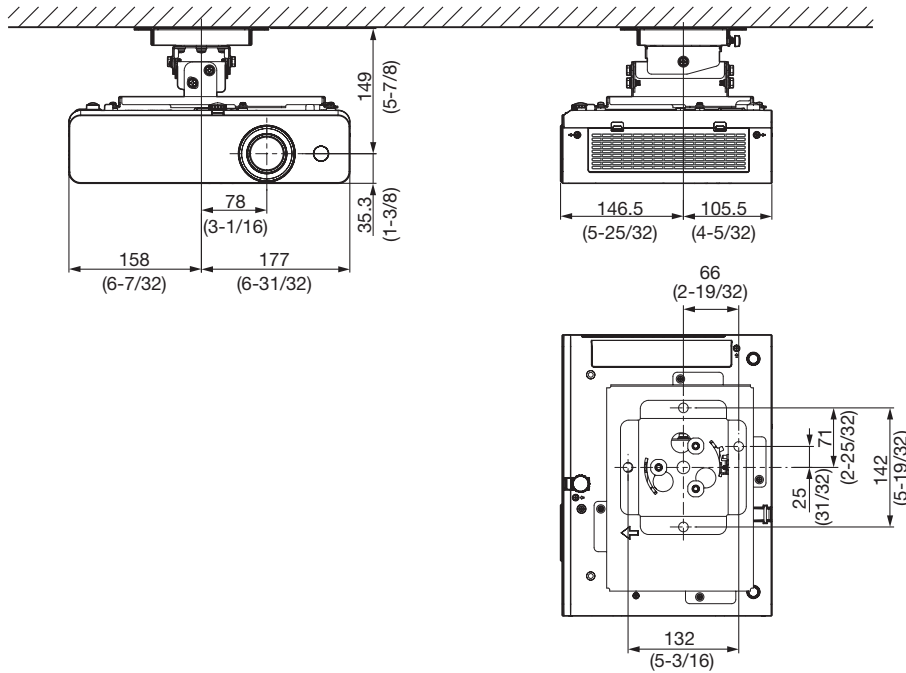


unit : mm (inch)
NOTE: This illustration is not drawn to scale.

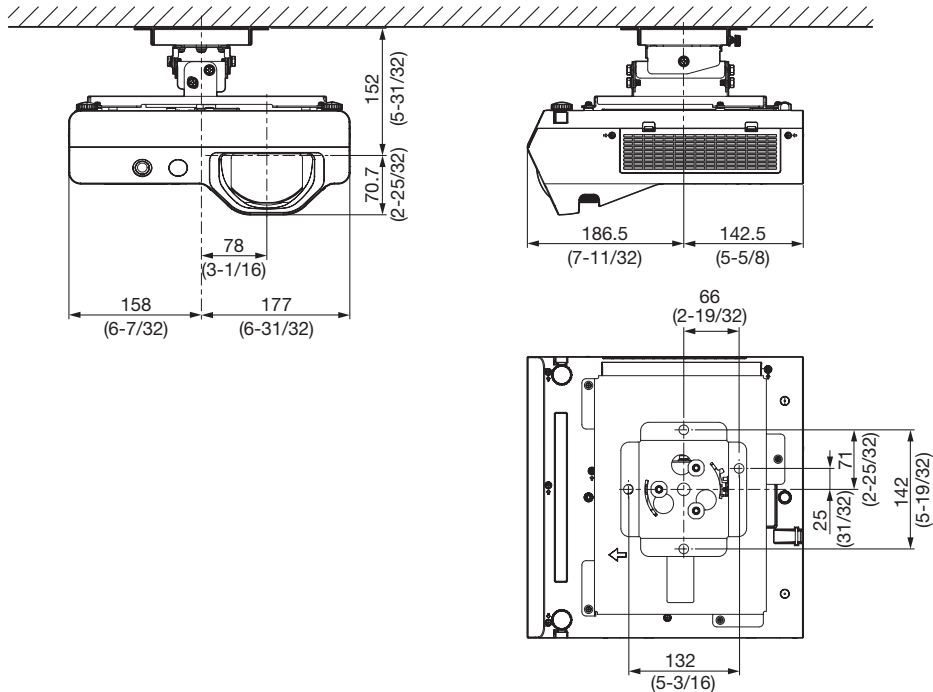
Ceiling mount bracket for low ceilings

Dimensions

The illustration shows the ceiling mount bracket when it is combined with the ET-PKL420B and the PT-LW330/LW280/LB360/LB330/LB300/LB280 is attached.



The illustration shows the ceiling mount bracket when it is combined with the ET-PKL430B and the PT-TW341R/TW340/TW250/TX400/TX310/TX210 is attached.

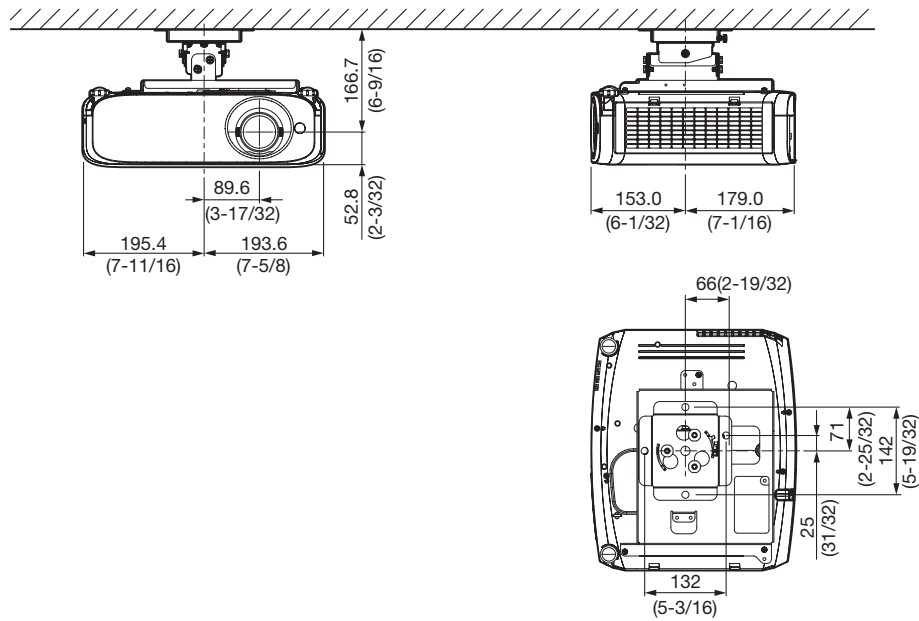


unit : mm (inch)
NOTE: This illustration is not drawn to scale.

Ceiling mount bracket for low ceilings

Dimensions

The illustration shows the ceiling mount bracket when it is combined with the ET-PKV400B and the PT-VZ575N/VZ570/VW535N/VW530/VX605N/VX600 is attached.



unit : mm (inch)

NOTE: This illustration is not drawn to scale.